

4

3

2

1

THIS DRAWING IS UNPUBLISHED.

RELEASED FOR PUBLICATION

2008

© COPYRIGHT 2008

BY -

ALL RIGHTS RESERVED.

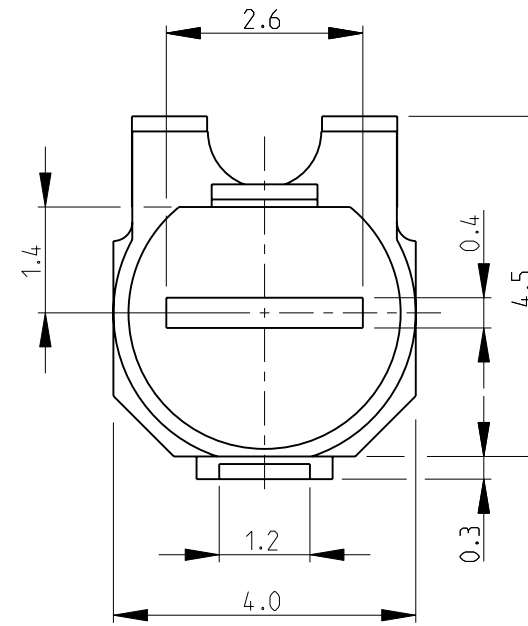
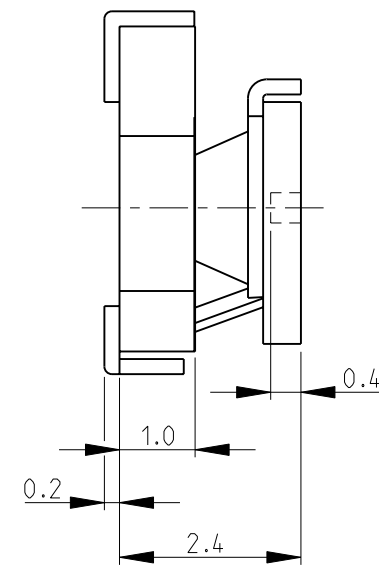
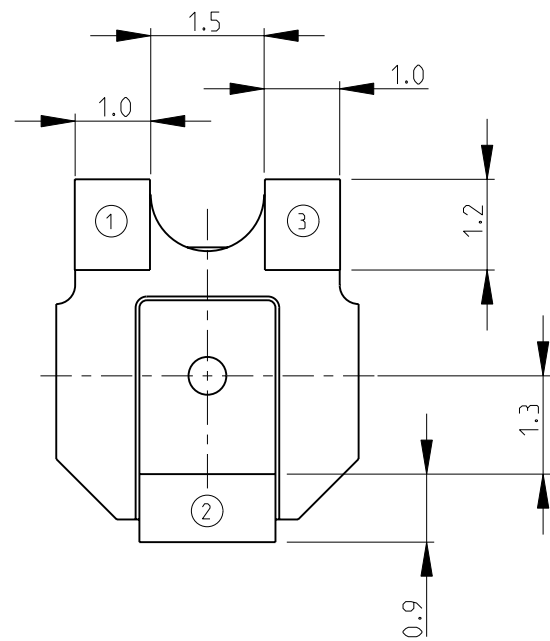
LOC  
E

DIST  
B

REVISIONS

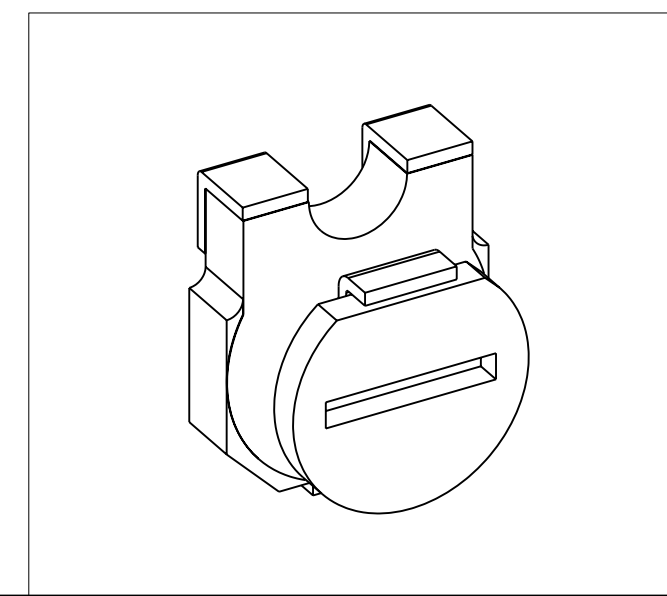
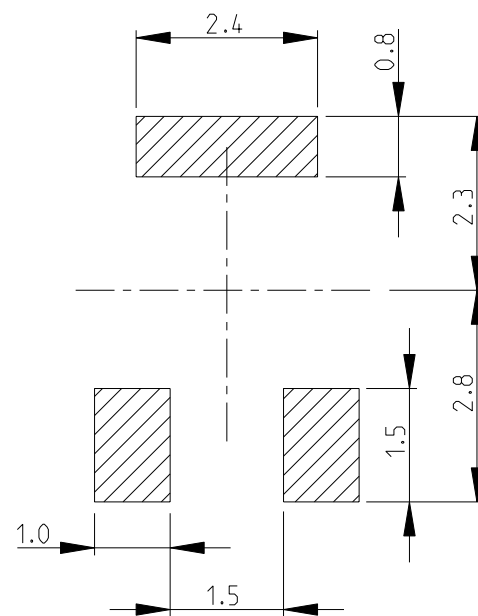
P	LTR	DESCRIPTION	DATE	DWN	APVD
A1		REVISED PER ECO-11-005150	29MAR2011	RK	HMR


FOR FURTHER INFORMATION SEE DATA SHEET FOR  
3142 SERIES-SMD ECONOMY TRIMMERS



RoHS Compliant

RECOMMENDED LAND PATTERN



THIS DRAWING IS A CONTROLLED DOCUMENT.		DWN SUBHASH.M 12-NOV-08	 <b>TE Connectivity</b> NAME <b>SMD ECONOMY TRIMMERS          SERIES 3142</b>					
DIMENSIONS: mm		CHK PRAKASH.S 12-NOV-08				SIZE	CAGE CODE	DRAWING NO
TOLERANCES UNLESS OTHERWISE SPECIFIED:		APVD STEPHEN.P 12-NOV-08				A3	00779	1623920
0 PLC ±0.2 1 PLC ±0.1 2 PLC ± 3 PLC ± 4 PLC ± ANGLES ±5°		PRODUCT SPEC -				RESTRICTED TO -		
MATERIAL -		FINISH -	APPLICATION SPEC -					
		WEIGHT -	CUSTOMER DRAWING					
			SCALE	SHEET	REV			
			10:1	1 OF 1	A1			